



# J&K CABINETS

87 CONCORD ST, NORTH READING, MA 01864  
TEL 978.658.1888 FAX 978.658.1882

TO LOCATE A DEALER, PLEASE VISIT  
[WWW.JKBOSTON.COM](http://WWW.JKBOSTON.COM)



## OUR HISTORY

Our first J&K Cabinetry company was originated in Atlanta, Georgia back in 2003, with our goal of providing to our customers the highest quality of cabinets available within affordable price.

We are also the manufacturer for our own J&K's distinctive and stylish line of kitchen cabinets and bathroom vanities. For the past 12 years, J&K Cabinetry has been expanding steadily from the East Coast, through the Midway North and South, and to the West Coast of the U.S. with more than 15 warehouses and showroom locations.

J&K Cabinetry continues to grow today as a unique cabinet brand as well as a leading cabinet wholesaler in the nation. One of the keys to our continued success lies in our commitment to continually improve both the product quality and the design style with our customers' needs in mind. For we believe that customer satisfaction is both the reward and the guarantee of our successful accomplishment of our company goal. And we value our growth and continued improvements just as our customers do.







## OUR PRODUCTS

As the manufacturer and direct wholesaler of our own J&K's cabinetry products, we are able to eliminate the middle-person cost and significantly reduce the product price for our customers, without losing the actual product quality and value. All of our cabinets and vanities are constructed with 100% solid wood doors and frames, 1/2" to 5/8"-thick plywood boxes, soft-close metal door hinges, full-extension drawer with soft-close metal glides, and more. We insist in making all these "optional upgrades" a necessary standard, efficiently improving the overall quality, functionality, durability, and value of our products, without adding the burden of higher price for our customers.

All J&K's cabinets are Ready-To-Assemble (RTA) and Semi-Customizable to our customers' specific needs. As our own manufacturer, we are able to maintain quality control and strict supervision over our cabinet production process through high-tech machinery and detailed hand-crafting. We also believe that by focusing on the excellent craftsmanship and unique designs of our cabinet styles, we can offer a more personalized experience for our customers and homeowners when they choose their dream kitchens with us.



# TABLE OF CONTENTS

Kitchen Cabinets Gallery.....5  
Specialties, Accessories, & Decors .....28  
Door Styles & Finishes .....32  
Understanding Our Cabinets.....36  
Warranty & Terms .....38  
Specifications .....39





**Your kitchen—  
Elegantly designed to your personal style and comfort.**

*Door Style - Transitional  
Finished Color - Pearl with Glaze*





Shown:

*TRADITIONAL kitchen with TRANSITIONAL cabinets in Pearl Maple Glaze (H9) finish*



**Your kitchen —  
the heart of your home envisioned in new styles.**









Shown:  
*Pearl Maple Glaze (H9) finish*



Shown:  
*White Shaker (S8)*











**Your kitchen —  
a personal space  
in the comfort  
of your home.**

*Door Style -  
CONTEMPORARY  
Finished Color -  
White Shaker (S8)*









Shown:  
*White Shaker (S8)*





Shown -  
*CONTEMPORARY Kitchen Cabinet in White Shaker (S8)*







*Shown:  
Mocha Maple Glaze (K10)*



Shown:  
*Mocha Maple Glaze (K10)*








Shown:  
*Mocha Maple Glaze (K10)*



*Door Style - CONTEMPORARY*  
*Finished Color - Walnut Maple*







Shown -  
*CONTEMPORARY Kitchen Cabinet in Walnut Shaker (SI)*



Shown -  
*CONTEMPORARY Kitchen Cabinets in Espresso Finish*







*Door Style - CONTEMPORARY Kitchen Cabinets in Espresso Finish*



Shown -  
*TRADITIONAL Kitchen Cabinet in Mahogany Maple (J5)*







*Door Style - TRADITIONAL  
Finished Color -Mahogany*



Door Style -TRADITIONAL  
Finished Color - Creme with Glaze







*Shown -  
TRADITIONAL Kitchen Cabinet in Creme Maple Glazed (A7)*



*TRANSITIONAL Vanity Cabinet in Espresso Maple (K8) finish*





*TRADITIONAL Vanity Cabinet in Mahogany Maple (J5) finish*





# LAZY SUSANS



# SPICE PULL-OUTS





**GLASS RACK**



**WINE RACK**



**SINK BASE TILT-OUT TRAY**





**MOLDINGS & FLUTED FILLERS**



**LARGE CORBELS**





## SMALL CORBELS



## ONLY DECORS





## TRADITIONAL



*A7  
Creme Maple Glazed*



*J5  
Mahogany Maple*



*K10  
Mocha Maple Glazed*

NOTE/ Product photography in this catalog have been reproduced as accurately as printing technologies permit. We strongly recommend you view an actual product sample for best color and wood grain representation.





*H9*  
*Pearl Maple Glazed*



*H8*  
*Hazel Maple*



*H3*  
*Chestnut Maple*

## TRANSITIONAL



*K8*  
*Espresso Maple*

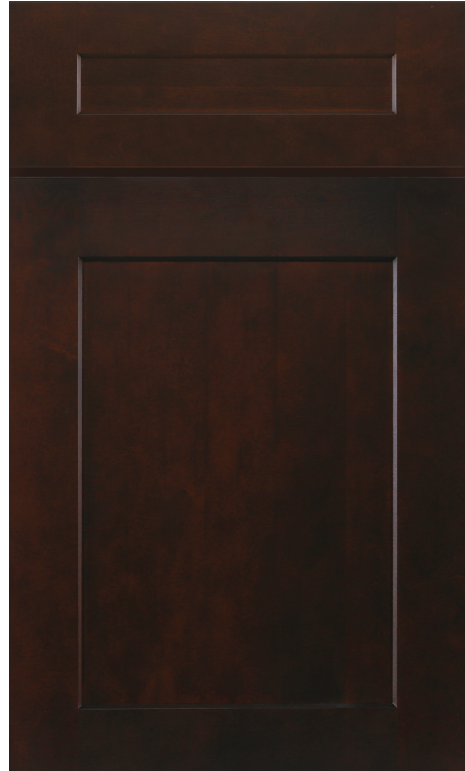
NOTE/ Not all door styles and finishes are available at certain locations. Please check with your local J&K CABINETRY showroom for current availability.



## CONTEMPORARY



S8  
*White Maple*



S1  
*Walnut Shaker*

NOTE/ Product photography in this catalog have been reproduced as accurately as printing technologies permit. We strongly recommend you view an actual product sample for best color and wood grain representation.

NOTE/ Not all door styles and finishes are available at certain locations. Please check with your local J&K CABINETRY showroom for current availability.



## OUR ENVIRONMENTAL COMMITMENT

We believe that healthy environment is a backbone to the happy lives of our customers and our society. In addition to our continued effort to improve our product qualities and values, J&K Cabinetry is committed to manufacturing and selling environmental-friendly and healthy products for our customers.

J&K cabinets' hardwood-plywood materials are compliant with "California 93120 Phase 2" (CARB 2) standard for formaldehyde. Our cabinets' solid wood materials are sourced from forests that are responsibly managed in line with the "Forest Stewardship Council" (FSC) principles and criteria. And we use "AkzoNobel"—a leading global company in sustainable paints and coatings—for our cabinet finishes.





## STANDARD FEATURES

All J&K's cabinets and vanities are superiorly constructed with 100% solid wood and proudly come with the following STANDARD features:

1. Door Panel: 3/4"-thick solid wood; full overlay door.
2. Door Hinge: 6-way adjustable; soft-close metal; hidden Euro-style.
3. Adjustable Shelf: 5/8"-thick cabinet-grade plywood; clear coat finish on all sides and edges; with metal shelf rests.
4. Drawer: 5/8"-thick solid wood on all sides; full extension pull-out; dovetail construction.
5. Drawer Glide: full extension pull-out; soft-close metal; concealed under-mount.
6. Plywood Box: 1/2" to 5/8"-thick cabinet-grade plywood; clear coat finish on interior sides; matching color finish on exterior sides.
7. Metal Bracket: corner bracket reinforcements in base cabinets for maximum stability.
8. Door Bumper: promote quiet-closing and reduce slamming for maximum durability.

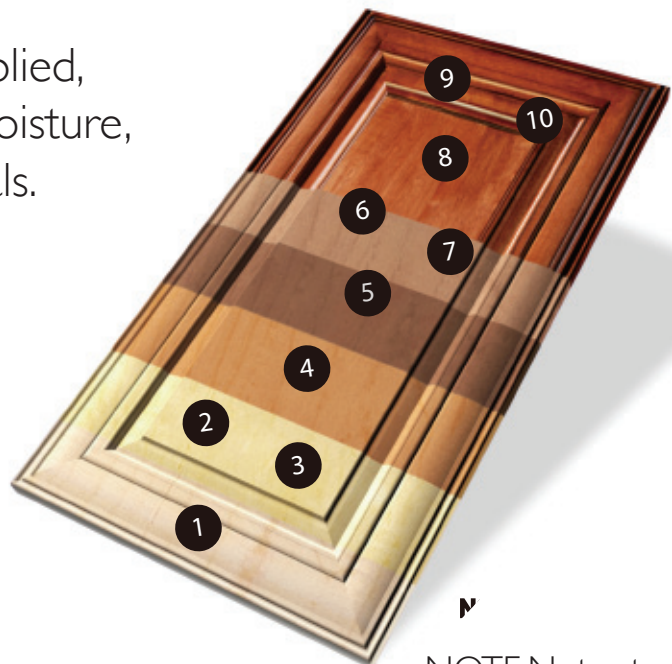
NOTE: As we continue to improve our product qualities and designs, the actual functionality of Door Hinge and Drawer Glide may vary slightly between existing and newest product styles and finishes. Please check with your local J&K Cabinetry showroom or dealer for most current updates.



## FINEST FURNITURE FINISHES

Our J&K's solid wood cabinet finishes are processed through the following excellent craftsmanship details:

1. The finest solid maple wood is sanded until smooth and vacuumed.
2. An equalizer stain is applied to balance the base color of the wood.
3. A toner is applied to establish color uniformity.
4. A deep penetrating stain is applied to reveal the hidden beauty of the natural grain.
5. All stained surfaces are hand-rubbed and wiped of excess stain, and then slowly air-dried.
6. A wood sealer is applied, penetrating all exposed wood surfaces for uniform protection.
7. All surfaces are hand-sanded, providing a smooth, consistent surface.
8. A glaze is applied by hand (if applicable).
9. A color consistency examination is performed with additional touch-up if needed.
10. A final protective top coat is applied, maximizing resistance to scuffing, moisture, fading and most household chemicals.



NOTE: Not actual product;  
image for reference only



# WARRANTY AND TERMS

## J&K CABINETRY WARRANTY

J&K CABINETRY, including its direct wholesaler and/or retailer companies or corporations, business entities or groups (collectively as "J&K CABINETRY"), hereby warrants that all cabinets sold by J&K CABINETRY are free from unnatural defects in material and workmanship under normal use and proper care for the period of ONE (1) YEAR from the date of original purchase. This Warranty is expressly and exclusively limited to the repair or replacement of the defective product(s) at the sole discretion of J&K CABINETRY, and does not cover the labor cost for the repair or replacement, removal or transportation of the defective product(s). This Limited Warranty applies only to the Original Purchaser and is not transferable to any other party.

This Limited Warranty becomes void if any of the cabinet product(s) and part(s) is altered by the Original Purchaser for any reason from its original form. This Limited Warranty does not cover product damages resulting from, but not limited to, 1) improper packaging, shipping, handling, or storage; 2) self-modification or customization, self-assembling or disassembling, or self-installation or demolition; and/or 3) negligence, misuse, abuse, or lack of proper inspection, maintenance, or care of the cabinet product(s) and part(s) by the Original Purchaser.

## NATURAL OCCURRENCES AND ENVIRONMENTAL EXPOSURES NOT COVERED

By purchasing J&K CABINETRY's solid wood product(s), the Original Purchaser fully acknowledges that all solid wood materials by nature will experience certain degree of expansion and contraction, warping and cracking, and/or color variations; these are due to environmental factors including, but not limited to, 1) temperature and humidity changes; 2) excessive heat or cold and dryness or moisture, or the lack thereof; 3) prolonged exposure to any and all types of light sources, smokes, and household chemicals; 4) the aging of natural solid wood; and/or 5) normal wear and tear, accidents, or acts of God. These are considered natural occurrences and not defects in material and workmanship, and are not covered under this Limited Warranty.

# UPDATED PRODUCT LINES

J&K CABINETRY periodically updates and makes changes to its product lines and specifications without notice. If a warranty claim is filed against obsolete or changed product(s) and repair is not possible, J&K CABINETRY reserves the right to replace the product(s) under warranty with the most similar item currently available. J&K CABINETRY cannot guarantee the finished color and style of the replacement product(s) will match exactly with the finished color and style of the defective product(s).

## DISCLAIMERS, ADDITIONAL LIMITATIONS, AND INDEMNIFICATIONS

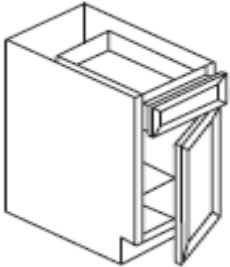
J&K CABINETRY makes no other warranties, and there are no implied warranties, other than those set forth herein, and/or extending beyond the terms of this Limited Warranty. In no event will J&K CABINETRY be liable for incidental or consequential damages to the Original Purchaser or to any party, including but not limited to damages arising from personal injury, lost profits, loss of business opportunity, loss of property, economic losses, or statutory or exemplary damages, whether due to negligence, warranty, strict liability or otherwise. Additionally, the Original Purchaser agrees to indemnify, defend, and hold J&K CABINETRY harmless from and against any and all claims, lawsuits, civil penalties, losses, or expenses (including attorney's fees) by any party, or entity, or class, arising from but not limited to the acts or omissions, the negligence or fault of the Original Purchaser, or its employees, representatives, agents, or contractors. This indemnification of J&K CABINETRY applies irrespective of any negligence by J&K CABINETRY, except to the extent determined in legal proceedings that the loss resulted from the sole fault or negligence of J&K CABINETRY.

## SUBMITTING A CLAIM

To submit a warranty claim on defective product(s), the Original Purchaser must contact the local J&K CABINETRY showroom or dealer from which the product(s) was originally purchased. The Original Purchaser must present a copy of the original Invoice for the product(s) as Proof of Purchase. If a return of the defective product(s) is required, the Original Purchaser must obtain a proper return authorization before sending any product back to the local J&K CABINETRY showroom or dealer. J&K CABINETRY is not responsible for any product sent by the Original Purchaser without prior approval or authorization. J&K CABINETRY, at its sole discretion, may require an inspection of the allegedly defective product(s) before a repair or replacement is issued under this Limited Warranty.

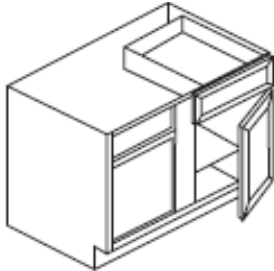


**BASE CABINET**



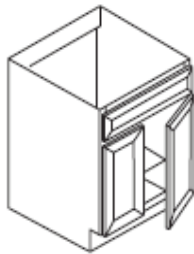
**ITEM**  
 B09  
 B12  
 B15  
 B18  
 B21

**BLIND CORNER BASE**



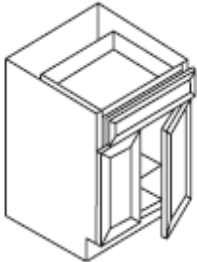
**ITEM**  
 BBC42

**SINK BASE CABINET**



**ITEM**  
 SB27

**BASE CABINET**



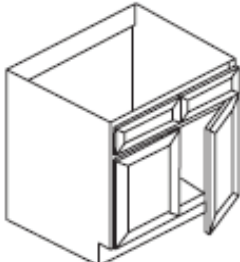
**ITEM**  
 B24  
 B27

**BASE DIAGONAL W/ LAZY SUSAN**



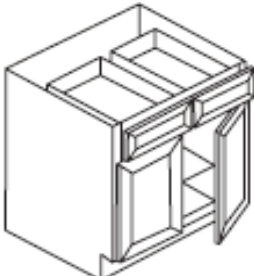
**ITEM**  
 CBD36

**SINK BASE CABINET**



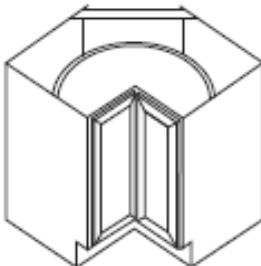
**ITEM**  
 SB30  
 SB33  
 SB36  
 SB42

**BASE CABINET**



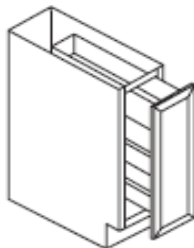
**ITEM**  
 B30  
 B33  
 B36  
 B42

**LAZY SUSAN**



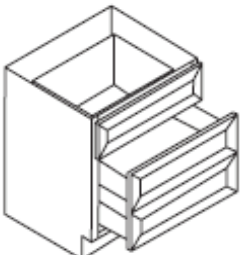
**ITEM**  
 LS3612

**SPICE RACK CABINET**



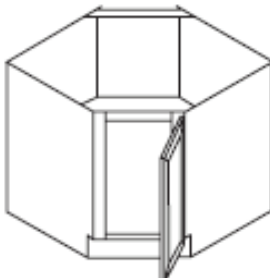
**ITEM**  
 SP09

**DRAWER BASE CABINET**



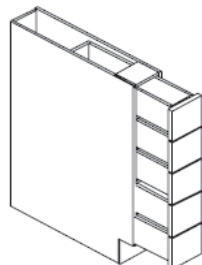
**ITEM**  
 DB15-3  
 DB18-3  
 DB21-3  
 DB24-3  
 DB30-3  
 DB36-3

**CORNER SINK BASE**



**ITEM**  
 CSB36

**SPICE DRAWER - 5 SPICE DRAWER**



**ITEM**  
 BWRC6

## FINISHES

- K10** Mocha Maple Glaze
- A7** Creme Maple Glaze
- K8** Espresso Maple
- J5** Mahogany Maple
- H9** Pearl Maple
- S1** Walnut Shaker
- S8** White Shaker

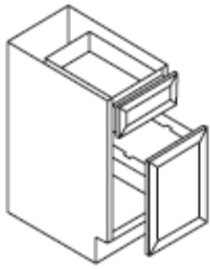
Don't see your size? Call us!  
 978.658.1888

Not all options are available for all colors/styles.  
 Please call for more information.



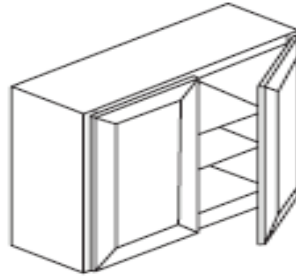
# PRODUCT SPECIFICATIONS

## BASE WASTE BASKET



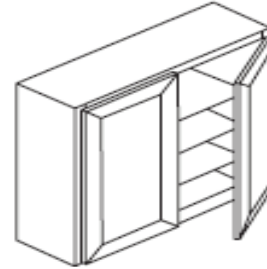
ITEM  
BWBK18-2

## 30" WALL CABINET



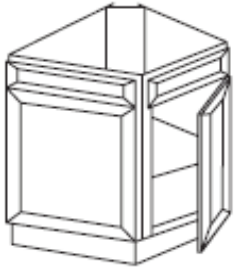
ITEM  
W2430  
W2730  
W3030  
W3330  
W3630

## 42" WALL CABINET



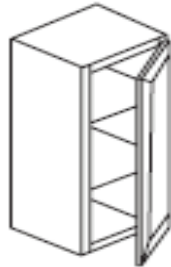
ITEM  
W2442  
W2742  
W3042  
W3342  
W3642

## BASE END CORNER - ANGLE



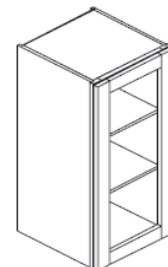
ITEM  
BEC24

## 36" WALL CABINET



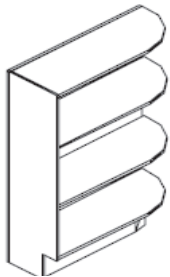
ITEM  
W0936  
W1236  
W1536  
W1836  
W2136

## 30" WALL CABINET GLASS DOOR



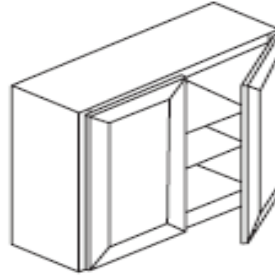
ITEM  
WM1530H  
WM1830H  
WM2130H  
WM1536H  
WM1836H  
WM2136H

## BASE END CORNER OPEN SHELF



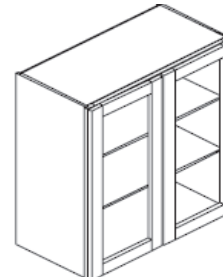
ITEM  
BES09

## 36" WALL CABINET



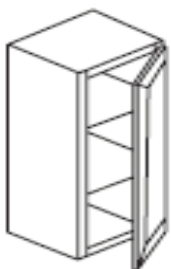
ITEM  
W2436  
W2736  
W3036  
W3336  
W3636

## 30" WALL CABINET GLASS DOOR



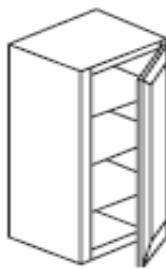
ITEM  
WM2430H  
WM2730H  
WM3030H

## 30" WALL CABINET



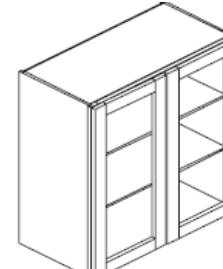
ITEM  
W0930  
W1230  
W1530  
W1830  
W2130

## 42" WALL CABINET



ITEM  
W0942  
W1242  
W1542  
W1842  
W2142

## 36" WALL CABINET GLASS DOOR



ITEM  
WM2436H  
WM2736H  
WM3036H

## FINISHES

**K10** Mocha Maple Glaze

**A7** Creme Maple Glaze

**K8** Espresso Maple

**J5** Mahogany Maple

**H9** Pearl Maple

**S1** Walnut Shaker

**S8** White Shaker

Don't see your size? Call us!  
978.658.1888

Not all options are available for all colors/styles.  
Please call for more information.



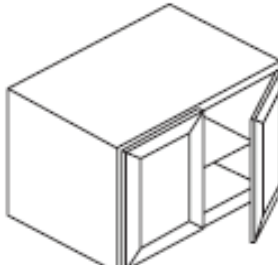
# PRODUCT SPECIFICATIONS

**WALL GLASS CABINET**



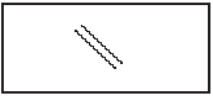
**ITEM**  
WMDC2430H  
WMDC2436H  
WMDC273615H

**WALL CABINET BRIDGE**



**ITEM**  
W3021  
W3024  
W302427  
W3624  
W362427

**GLASS SHELF**



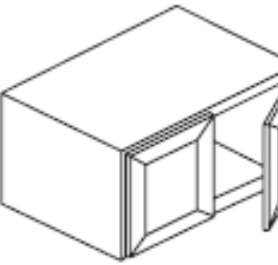
**ITEM**  
WM1530/36/42H  
WM1830/36/42H  
WM2130/36/42H  
WM2430/36/42H  
WM2730/36/42H  
WM3030/36/42H

**WALL GLASS CABINET**



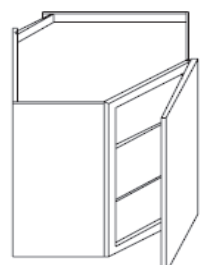
**ITEM**  
WMDC2442H  
WMDC274215H

**WALL CABINET BRIDGE**



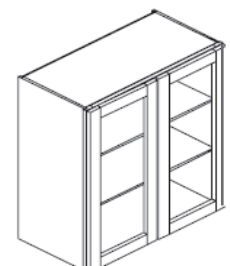
**ITEM**  
W301227  
W301527  
W301827  
W331227  
W331527  
W361227  
W361527  
W361827

**WALL DIAGONAL CABINET**



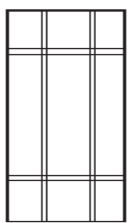
**ITEM**  
WDC2430  
WDC2436  
WDC273615

**42" WALL CABINET GLASS DOOR**



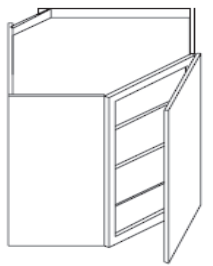
**ITEM**  
WM2442H  
WM2742H  
WM3042H

**GLASS INSERT**



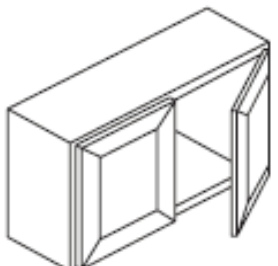
**ITEM**  
GLASS  
INSERT

**WALL DIAGONAL CABINET**



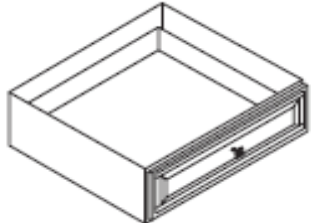
**ITEM**  
WDC2442  
WDC274215

**WALL CABINET BRIDGE**



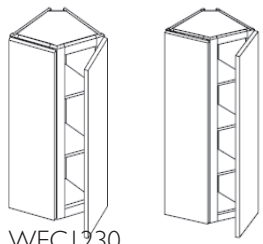
**ITEM**  
W2412  
W2415  
W2418  
W2718  
W3012  
W3015  
W3018  
W3612  
W3615  
W3618

**KNEE DRAWER**



**ITEM**  
FD24  
FD27  
FD30

**WALL END CABINET**



**ITEM**  
WEC1230  
WEC1236  
WEC1242

## FINISHES

- K10** Mocha Maple Glaze
- A7** Creme Maple Glaze
- K8** Espresso Maple
- J5** Mahogany Maple
- H9** Pearl Maple
- S1** Walnut Shaker
- S8** White Shaker

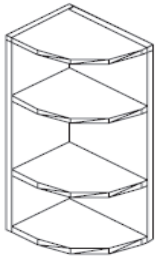
Don't see your size? Call us!  
978.658.1888

Not all options are available for all colors/styles.  
Please call for more information.



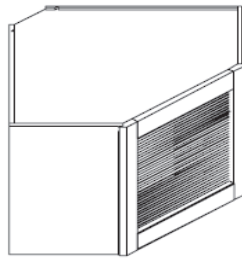
# PRODUCT SPECIFICATIONS

## WALL END SHELF



ITEM  
WES0930  
WES0936  
WES0942

## APPLIANCE GARAGE



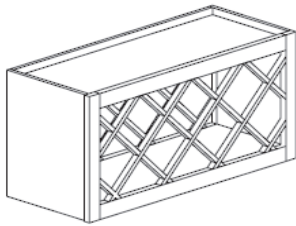
ITEM  
AG2418  
AG2718

## WALL PANTRY DUMMY DOOR



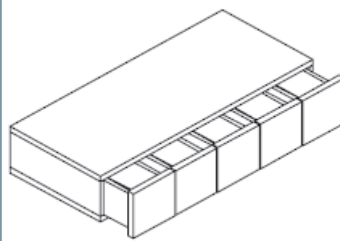
ITEM  
BDD8427  
BDD9027  
BDD9627

## WALL WINE RACK



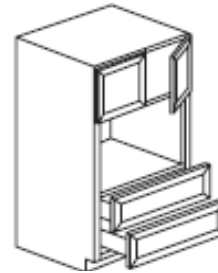
ITEM  
30WR  
36WR

## WALL SPICE DRAWER



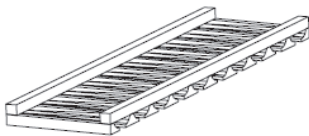
ITEM  
WWRC6

## SINGLE OVEN CABINET



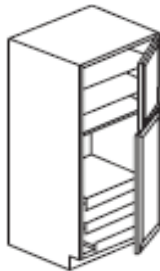
ITEM  
OC308427  
OC309027  
OC309627  
OC338427  
OC339027  
OC339627

## WALL GLASS RACK



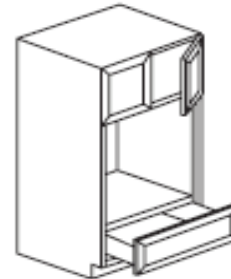
ITEM  
30GR  
36GR

## TALL PANTRY



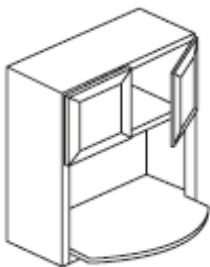
ITEM  
WP188427  
WP189027  
WP189627

## DOUBLE OVEN CABINET



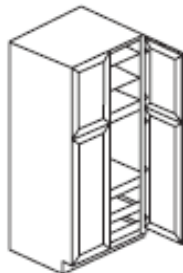
ITEM  
OC308427WO  
OC309027WO  
OC309627WO  
OC338427WO  
OC339027WO  
OC339627WO

## WALL MICROWAVE CABINET



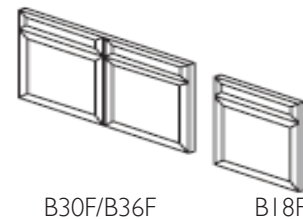
ITEM  
WBL2730  
WBL2736  
WBL2742

## TALL PANTRY



ITEM  
WP248427  
WP249027  
WP249627  
WP308427  
WP309027  
WP309627

## BASE DUMMY DOOR



ITEM  
B18F  
B30F  
B36F

## FINISHES

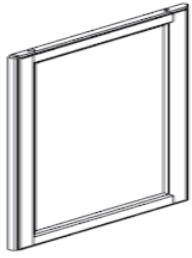
- K10** Mocha Maple Glaze
- A7** Creme Maple Glaze
- K8** Espresso Maple
- J5** Mahogany Maple
- H9** Pearl Maple
- S1** Walnut Shaker
- S8** White Shaker

Don't see your size? Call us!  
978.658.1888

Not all options are available for all colors/styles.  
Please call for more information.

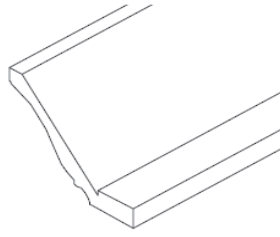


## BASE END DUMMY DOOR



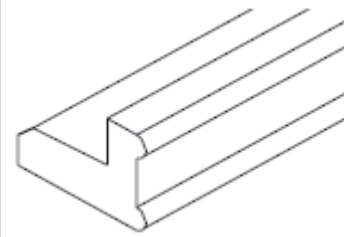
ITEM  
BDD24

## LARGE CROWN MOLDING



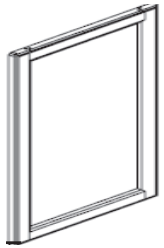
ITEM  
ACM10 5 1/4

## LIGHT RAIL MOLDING



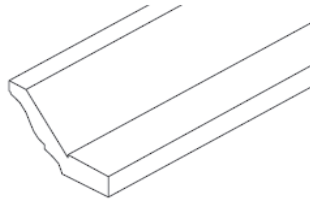
ITEM  
TLR10-A

## WALL END DUMMY DOOR



ITEM  
W1230F  
W1236F  
W1242F

## LARGE CROWN MOLDING



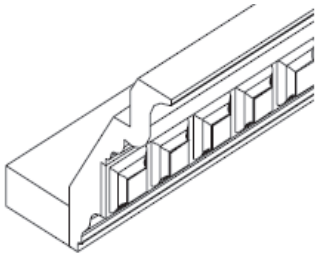
ITEM  
ACM10 3 1/4

## TOE KICK / TOE PLATE



ITEM  
TK8

## LARGE DENTIL MOLDING



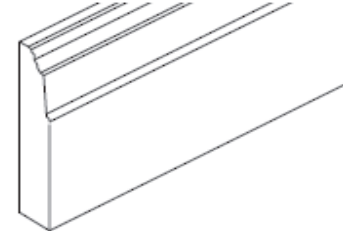
ITEM  
CCM10-A

## CROWN MOLDING



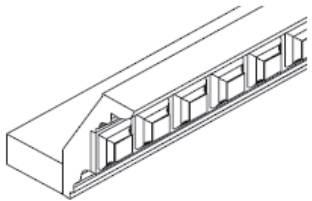
ITEM  
CM10

## BASE MOLDING



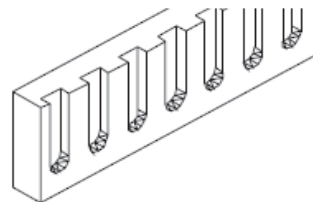
ITEM  
BM10

## DENTIL MOLDING



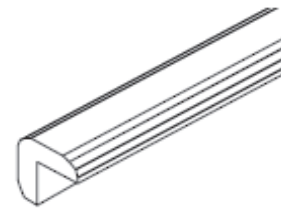
ITEM  
CCM10-B

## WIDE DENTIL MOLDING



ITEM  
WDM10

## OUTSIDE CORNER MOLDING



ITEM  
OCM8

## FINISHES

**K10** Mocha Maple Glaze

**A7** Creme Maple Glaze

**K8** Espresso Maple

**J5** Mahogany Maple

**H9** Pearl Maple

**SI** Walnut Shaker

**S8** White Shaker

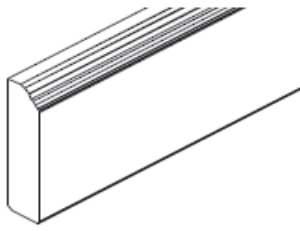
Don't see your size? Call us!  
978.658.1888

Not all options are available for all colors/styles.  
Please call for more information.



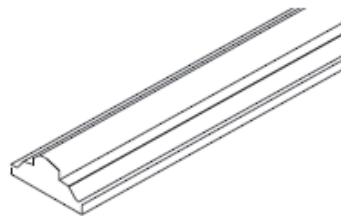
# PRODUCT SPECIFICATIONS

## OGEE MOLDING



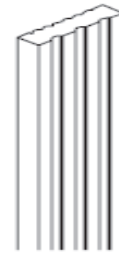
ITEM  
OGM10

## CHAIR RAIL MOLDING



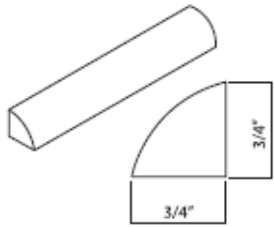
ITEM  
FSM10

## FLUTED / BEADED FILLER



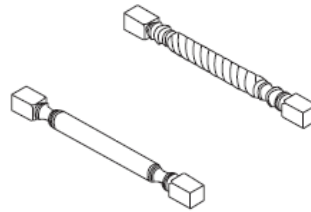
ITEM  
PCVFF3

## QUARTER ROUND MOLDING



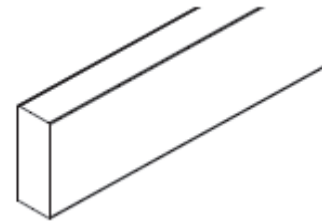
ITEM  
QRM10

## TURN POST



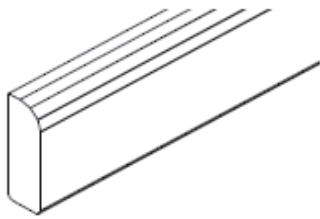
ITEM  
RP 34 1/2  
SP3 \* 34 1/2

## TALL FILLER



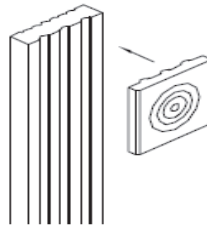
ITEM  
CM34-3  
CM34-6  
CM34-9

## SCRIBE MOLDING



ITEM  
SM8

## FLUTED ROSETTE BLOCK



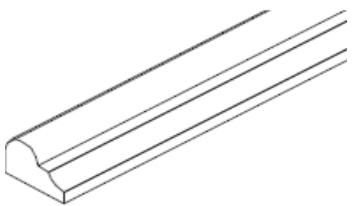
ITEM  
FB 3\*3

## BASE FILLER



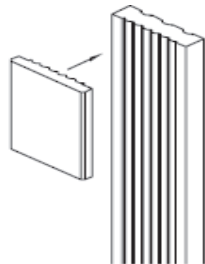
ITEM  
BF3  
BF6

## CHAIR RAIL MOLDING



ITEM  
CRI0

## FLUTED PLINTH BLOCK



ITEM  
BB 3\*4

## WALL FILLER



ITEM  
WF330  
WF336  
WF342  
WF630  
WF636  
WF642

## FINISHES

**K10** Mocha Maple Glaze

**A7** Creme Maple Glaze

**K8** Espresso Maple

**J5** Mahogany Maple

**H9** Pearl Maple

**S1** Walnut Shaker

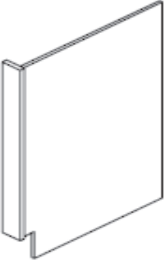
**S8** White Shaker

Don't see your size? Call us!  
978.658.1888

Not all options are available for all colors/styles.  
Please call for more information.

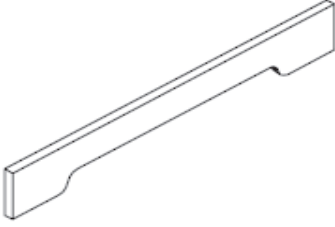


**DISHWASHER PANEL**




**ITEM**  
DWR

**ARCHED VALANCE**



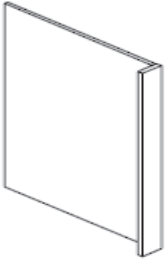
**ITEM**  
V30B  
V33B  
V36B  
V42B  
V48B  
V54B  
V60B

**SMALL LEAF ORNAMENT**



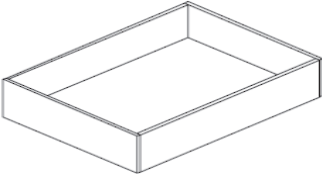
**ITEM**  
RGO

**REFRIGERATOR PANEL**



**ITEM**  
RRP8427  
RRP9027  
RRP9627

**ROLL OUT TRAY**



**ITEM**  
RD18  
RD21  
RD24  
RD30  
RD36

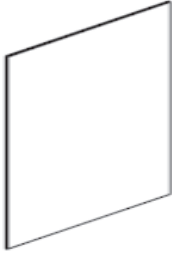
COMES WITH SOFT-CLOSE GLIDE

**SMALL GRAPE CORBEL**




**ITEM**  
GC58

**BASE SKIN PANEL**



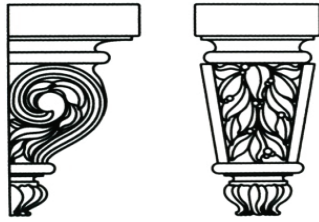
**ITEM**  
BP3696 (SHORT GRAIN)  
BP9636 (LONG GRAIN)

**SPLIT POST**




**ITEM**  
RPS18  
RPS24  
RPS30  
RPS36  
RPS42

**SMALL LEAF CORBEL**



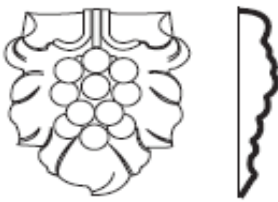
**ITEM**  
RC58  
RC313

**FRIEZE VALANCE**




**ITEM**  
V30A  
V33A  
V36A  
V42A  
V48A  
V54A  
V60A

**SMALL GRAPE ORNAMENT**



**ITEM**  
SGO

**LARGE LEAF CORBEL**



**ITEM**  
AC

## FINISHES

**K10** Mocha Maple Glaze

**A7** Creme Maple Glaze

**K8** Espresso Maple

**J5** Mahogany Maple

**H9** Pearl Maple

**SI** Walnut Shaker

**S8** White Shaker

Don't see your size? Call us!  
978.658.1888

Not all options are available for all colors/styles.  
Please call for more information.



# PRODUCT SPECIFICATIONS

## GRAPE ONLY



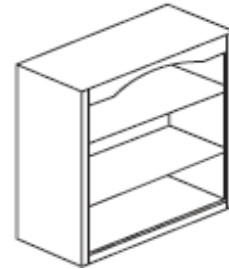
ITEM  
GRPO

## EX-LARGE CORBEL



ITEM  
CB34 1/2  
RC530

## WALL OPEN SHELF



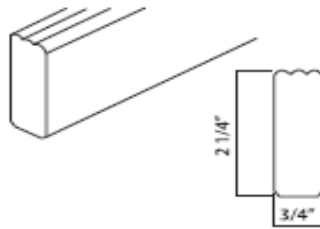
ITEM  
WOS2430

## LEAF ONLY



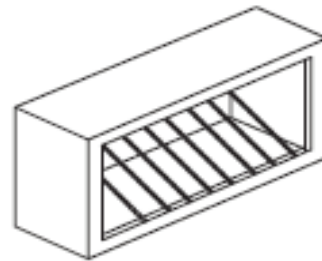
ITEM  
RRPO

## TRIPLE BEAD MOLDING



ITEM  
WPM10

## WALL PLATE RACK CABINET



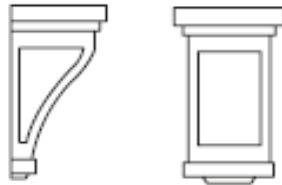
ITEM  
WCD3018  
WCD3618

## DÉCOR



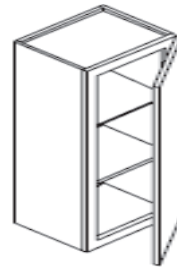
ITEM  
ASO  
RSO

## SMALL CORBEL



ITEM  
SC58

## MEDICINE CABINET



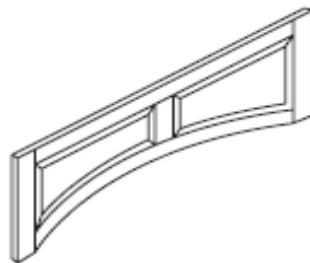
ITEM  
WV12336

## TALL GRAP ONLY



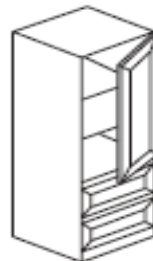
ITEM  
OLC318  
RLC318

## RAISED PANEL VALANCE



ITEM  
RPV36-A  
RPV42-A  
RPV54-A  
RPV60-A  
RPV72-A

## VANITY COUNTER CABINET



ITEM  
DV1245

## FINISHES

**K10** Mocha Maple Glaze

**A7** Creme Maple Glaze

**K8** Espresso Maple

**J5** Mahogany Maple

**H9** Pearl Maple

**SI** Walnut Shaker

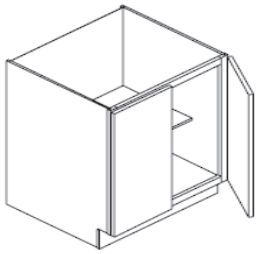
**S8** White Shaker

Don't see your size? Call us!  
978.658.1888

Not all options are available for all colors/styles.  
Please call for more information.

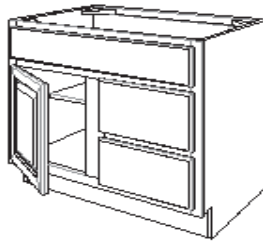


## SINK VANITY



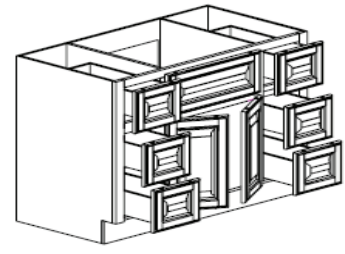
ITEM  
SVA24P

## VANITY BASE CABINET



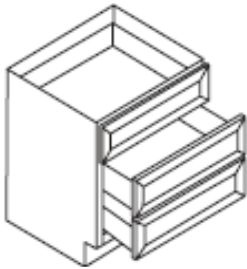
ITEM  
FA302IDL

## VANITY BASE CABINET



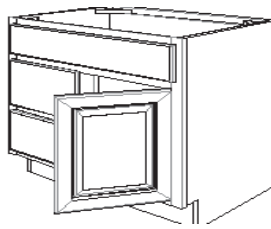
ITEM  
FA482ID  
FA602ID

## VANITY DRAWER BASE



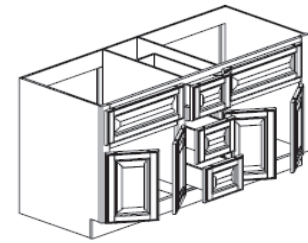
ITEM  
SVA09D  
SVA12D  
SVA15D  
SVA18D  
SVA24D

## VANITY BASE CABINET



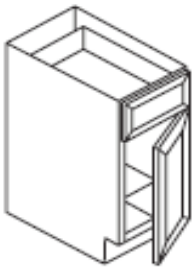
ITEM  
FA302IDR

## VANITY BASE CABINET



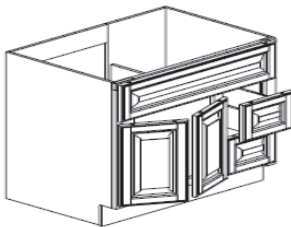
ITEM  
FA602IDD

## VANITY BASE CABINET



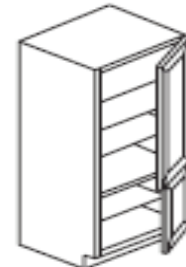
ITEM  
SVA09P  
SVA12P  
SVA15P  
SVA18P  
SVA21P

## VANITY BASE CABINET



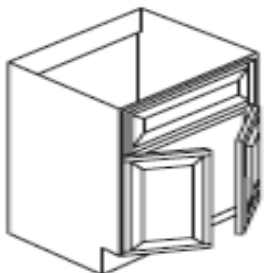
ITEM  
FA362IDL

## VANITY PANTRY



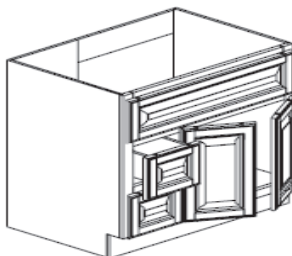
ITEM  
SVA188124P

## VANITY BASE CABINET



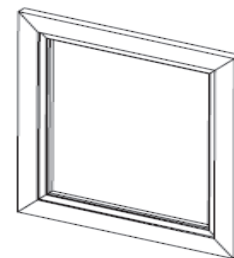
ITEM  
SVA242I  
FA302I

## VANITY BASE CABINET



ITEM  
FA362IDR

## VANITY MIRROR



ITEM  
SVAM2427  
SVAM3027

## FINISHES

**K10** Mocha Maple Glaze

**A7** Creme Maple Glaze

**K8** Espresso Maple

**J5** Mahogany Maple

**H9** Pearl Maple

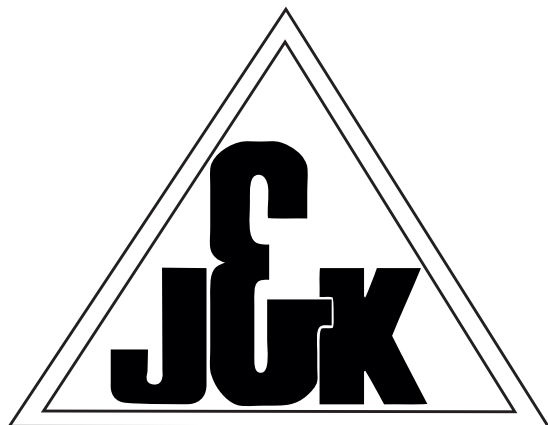
**SI** Walnut Shaker

**S8** White Shaker

Don't see your size? Call us!  
978.658.1888

Not all options are available for all colors/styles.  
Please call for more information.





# J&K CABINETS

87 CONCORD ST, NORTH READING, MA 01864  
TEL 978.658.1888 FAX 978.658.1882

TO LOCATE A DEALER, PLEASE VISIT  
[WWW.JKBOSTON.COM](http://WWW.JKBOSTON.COM)